

HARTSON



KENNEDY

ULTRA-TOP MODERN FRONT

FEATURES

- 1/2" radius front nose
1-1/2" thick
- 1/4" cove radius for easy cleaning
- 5/8" scribe for fitting out-of-square walls
- 1-1/4" front build-up for floating countertop installation
- Kitchen and vanity tops feature 3-3/4" backsplash
- Wide bars have 1/2" roll radius both sides
- Narrow bars have 1/2" roll radius both sides
- Flat deck tops have 1/2" roll front radius, raw back side
- Available by request with 5/8" front build-up for nesting on cabinet installation (as shown on last illustration.)

KITCHEN & VANITY TOP

MFV-19
MFV-22 1/2
MFK-25

BAR TOP

MFB-27
MFB-30
MFB-36
MFB-42

BAR TOP

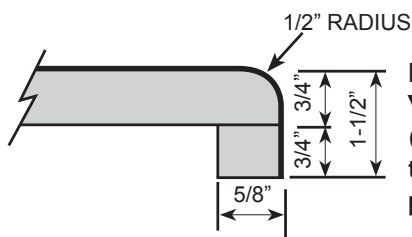
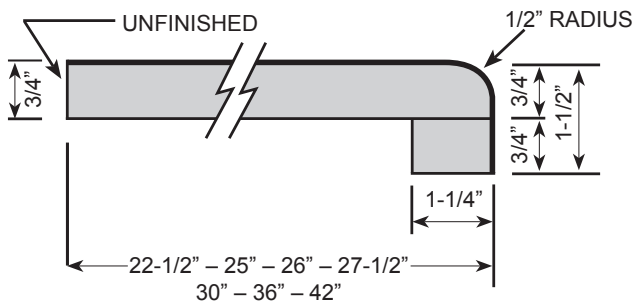
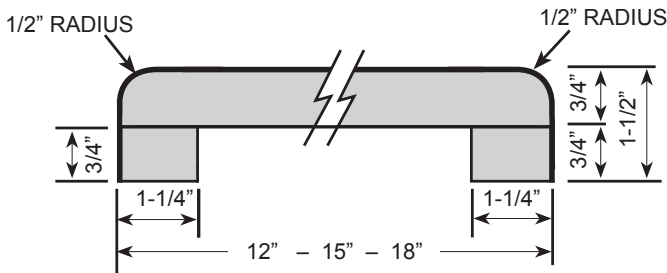
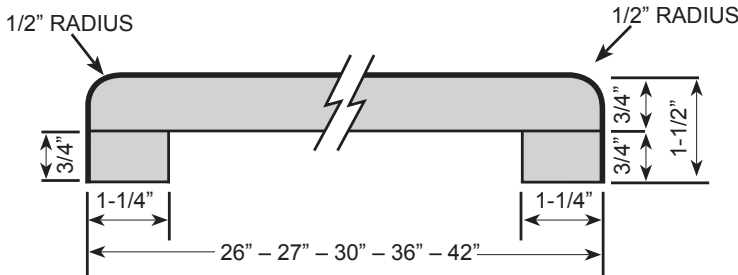
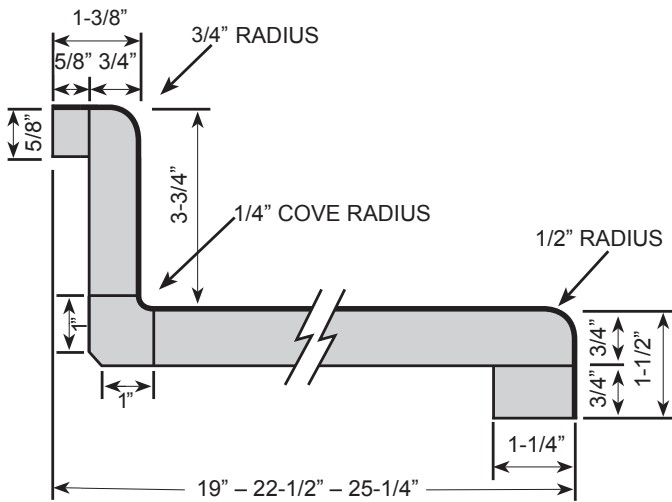
MFB-12
MFB-15
MFB-18

FLAT DECK TOP

MFF-22 1/2
MFF-25
MFF-26
MFF-27 1/2
MFF-30
MFF-36
MFF-42

KITCHEN & VANITY TOP

(When ordering, specify the letter R after each product number.)



Unsurpassed professional quality . . . the trademark of

Form # SDS-248P
Rev. 1/6/10

HARTSON-KENNEDY



surfaces for living.

HARTSON-KENNEDY CABINET TOP CO., INC.

CORPORATE HEADQUARTERS
P.O. Box 3095, 522 W. 22nd St.
Marion, IN 46953
Phone: 800-388-8144 . Fax: 765-662-3452

28322 County Road #20 West
Elkhart, IN 46517
Phone: 800-283-2504 . Fax: 574-293-2987

10115 Lorraine Road
Gulfport, MS 39506
Phone: 800-846-1548 . Fax: 228-896-5905

4255 Interstate Drive
Macon, GA 31210
Phone: 800-477-1796 . Fax: 800-477-7689

Visit our website at:
www.hartson-kennedy.com